

CLASSIC 80 SECONDARY SASH

Functions

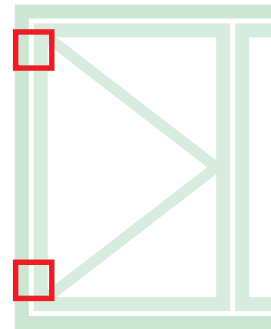
Adapter for CLASSIC 3D 80 tilt-and-turn secondary sash hinges.

The adapter lets you turn the set of tilt-and-turn hinges into hinges for a secondary sash, keeping the same design, adjustments, dimensions and capacities achievable with a main sash.

Materials

Grub screws and false arm rod made of steel

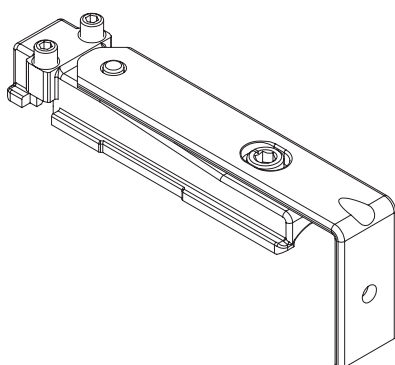
Support in zamak



Online data sheet



04727



Item code	Description	PROFILE CROSS - SECTION	Base Raw	Anodised Elox	Painted	Trend/Gold Brass	Pieces per pack
04727	CLASSIC 3D 80 SECONDARY SASH ADAPTER	C001	X				10